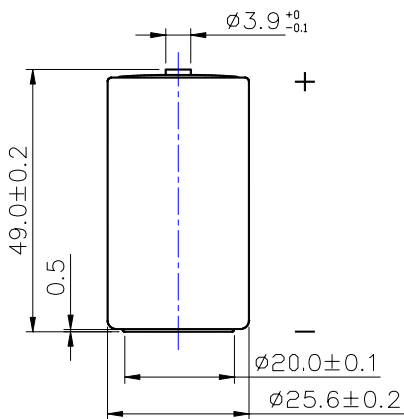


SPECIFICATIONS

(Typical values for batteries stored at 20 °C for one year or less)

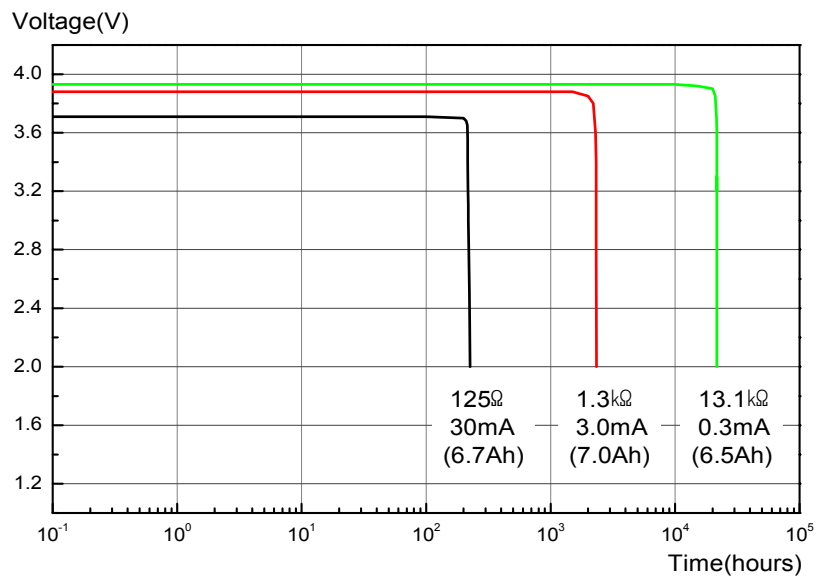
Nominal Capacity (At 3mA/20 °C/68 °F/2.0V Cut-Off)	7.0 Ah
Open Circuit Voltage (At 20 °C/68 °F)	3.92 V
Nominal Voltage (At 3mA/20 °C/68 °F)	3.90 V
Maximum Continuous Current	230 mA
Operating Temperature Range	-40 ~ 85 °C
Weight	50.5g (1.78 oz)
Anode Surface Area	30 cm ²
Volume	26 cm ³
Diameter (Max)	26.2 mm
Height (Max)	50 mm

Dimensions in MM

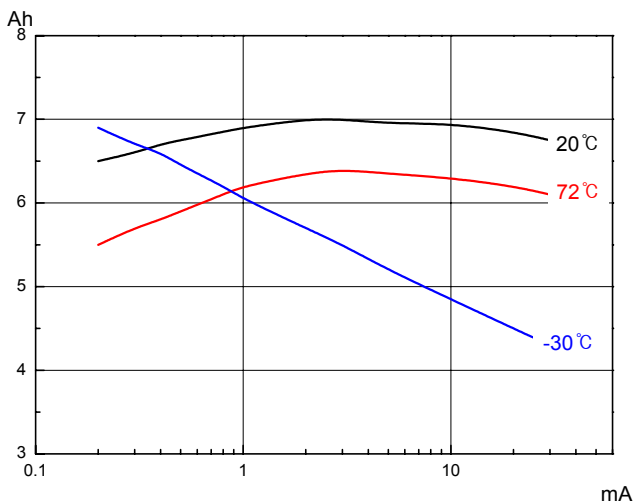


WARNING
Fire, Explosion And Severe Burn Hazard.
Do Not Recharge, Crush, Disassemble,
Heat Above 212°F (100°C), Incinerate
Or Expose Contents To Water

DISCHARGE CHARACTERISTICS AT +20 °C



CAPACITY VS. CURRENT



OPERATING VOLTAGE

