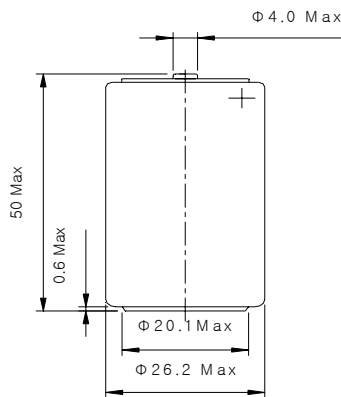


SPECIFICATIONS

(Typical values for batteries stored at 20°C for one year)

Nominal Capacity(At 3mA/20°C/68°F/2.0V Cut-Off)	8.5 Ah
Open Circuit Voltage(At 20°C/68°F)	3.67 V
Nominal Voltage(At 3mA/20°C/68°F)	3.5 V
Maximum Continuous Current	230 mA
Maximum Pulse Current Capability	400 mA
Rated 1 Sec. Pulse Capability(To 3V)	60 mA
Operating Temperature Range	-55 ~ 85 °C
Weight	51 g(1.8 oz)
Anode Surface Area	30 cm ²
Volume	26 cm ³
Diameter(Max) or L X I	26.2 mm
Height(Max)	50 mm

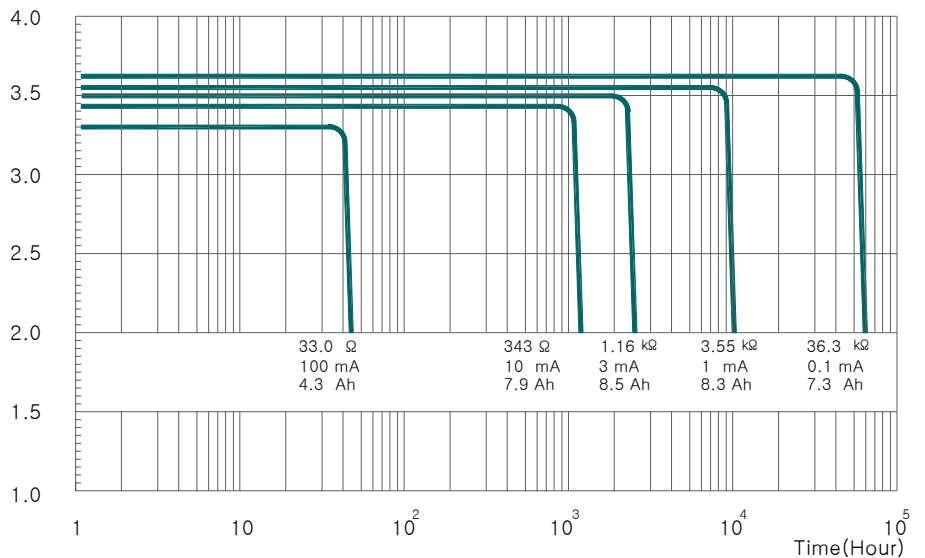
Dimensions in mm



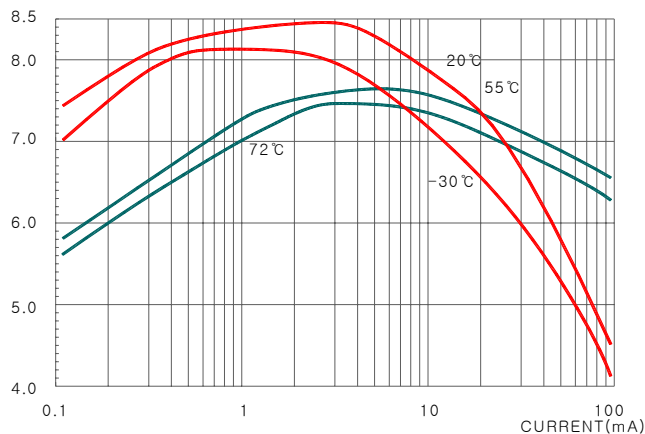
WARNING

Fire, Explosion And Severe Burn Hazard.
Do Not Recharge, Crush, Disassemble,
Heat Above 212°F(100°C), Incinerate
Or Expose Contents To Water

Voltage(V) DISCHARGE CHARACTERISTICS AT +20°C



CAPACITY(Ah) CAPACITY vs. CURRENT



Voltage(V) TEMPERATURE vs. OPERATING VOLTAGE

